

OnSpec xSil 251 – Hi-Speed USB Extreme Flash Drive R/W Controller

Description



OnSpec's xSil 251 UDMA4 CF and HDD Controller is the world's first UDMA 4 enabled CF controller. It also can interface with Hard Disk drives to provide a compelling external storage solution. The firmware has built-in support for Microsoft's PD-DRM technology in addition to providing an SHA-256 based authentication protocol for implementing Secure access to the Hard disk drive.

OnSpec offers reference designs, firmware, drivers, and manufacturing test software to make product development easy. OnSpec's technology provide optimum throughput and superior flash media compatibility

Features

-

Supports NAND SLC, NAND MLC and AG-AND flash media

-

Supports CompactFlash media (flash based and hard disk based)

-

Full Speed USB (USB1.1) and Hi-Speed USB (USB 2.0), Bus powered.

-

Compatible with Microsoft WinXP, WinME, Win2K, SP3, Apple OS X and Linux Multi-Lun Mass Storage Class Drivers

-

Win2K, Win98/98SE and Apple OS8.6 and OS9 Multi-LUN Mass Storage Class Drivers Available

-

Single chip with integrated USB 2.0 PHY

-

Optional Secure partition capability based on SHA-256 algorithm

-

Serial port

-

Two General Purpose Timers

-

Watchdog Timer

-

16 bit RISC Processor

-

Onboard ROM contains BIOS and Application code.

-

Programmable IOR and IOW widths

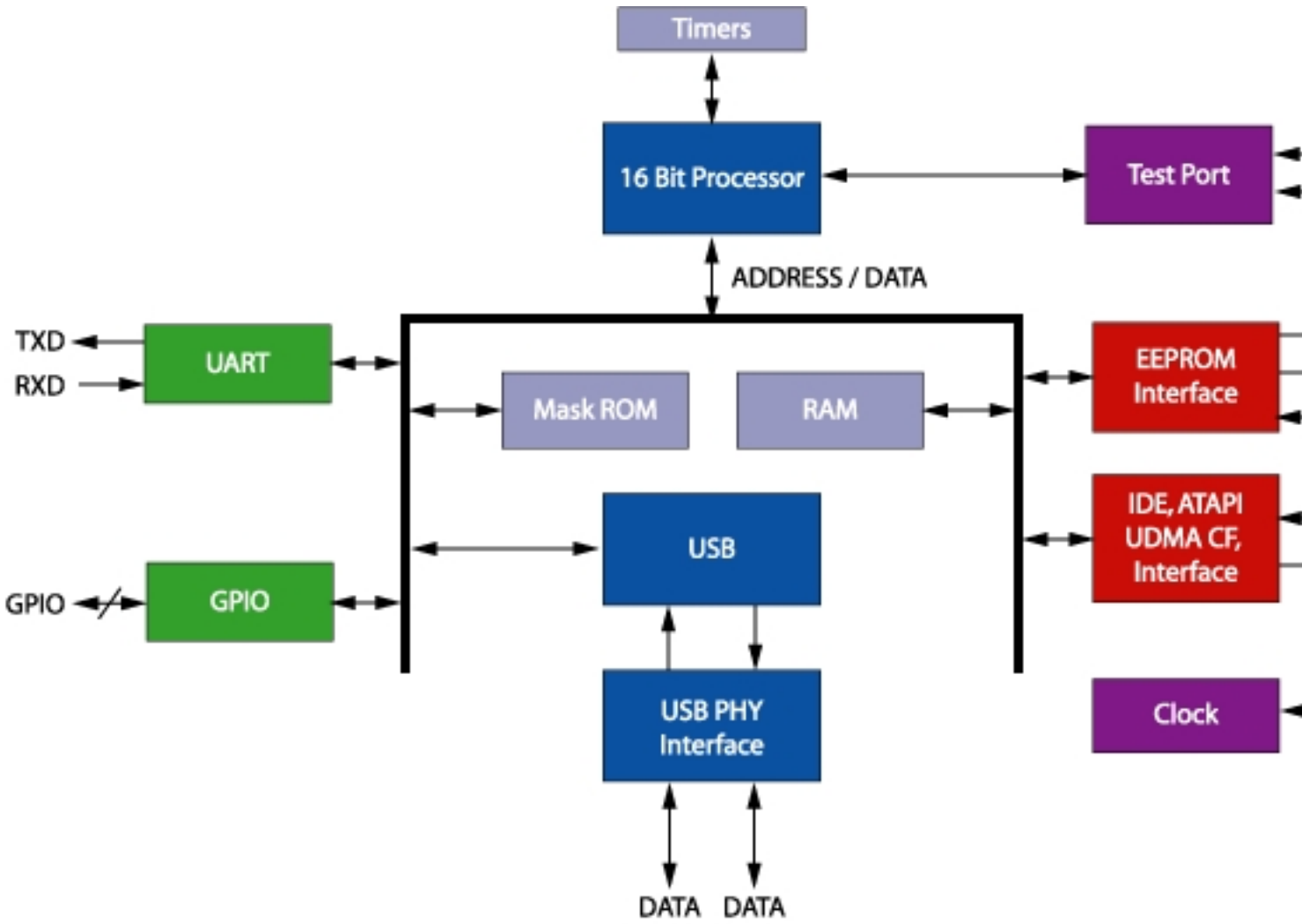
-

Optimum hardware controlled transfer for speed and scalability

-

48-pin 7mm x 7mm QFP package (RoHS packaging available)

BlockDiagram



From the OnSpec website regarding the IDE/ATAPI device or a CompactFlash or Microdrive or
 enhancements
 CIO Models 0..6
 USB, ROM, CD-RW, DVD-RW, DVD-RW, DVD-ROM etc.

- USB 2.0 Full Speed Command and Write Controller
- Technical and Design Information
- Design Support will be provided by OnSpec upon request)
- Read/Write Performance Testing (Software Release Notes)
- UL94 V-0 Certification Lab Report Summary
- ULS Models (Available on request)
- Qualification Report
- IOS Boot Over USB Compatibility Testing Report

Available from OnSpec under Software License Agreement (SLA):

- Click Wrap SLA Agreement for Object Code on OnSpec Website
- Manufacturing Utilities
- Software Release Notes (Important for Attribute Bit Settings and Descriptions)
- Software Test Report Matrix of OS and PC Chipset Testing)
- Windows 98 and 2000 Multi-LUN Drivers

Disclaimer: This document is provided in connection with OnSpec Electronic products. All of OnSpec Electronic products are not intended for use in medical, life saving, or life sustaining applications. OnSpec is a registered trademark of OnSpec Electronic, Inc.
 Download: [Product Sheet](#) PDF Size=72KB