

## Part# XBCM010105V Transient Voltage Suppressor (TVS) Diode

The XBCM010105V series is designed to protect components from ESD events with excellent clamping capability, low leakage and very fast response time all in a small footprint with die size of 10X10 mils (254X254 microns).

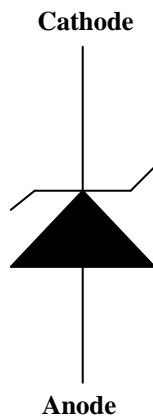
Because of its small size, it can be used in cellular phones, MP3 players and any other application that require extremely small size.

### Features:

- Low clamping voltage.
- Low capacitance of 30pF.
- Bumped die or small body outline packages.
- Low leakage.
- Response time of <1nS.
- IEC61000-4-2 Level 4 ESD Protection.
- Lead Free in bumped or packaged formats.

### Circuit Schematic:

The following schematic represent one die:



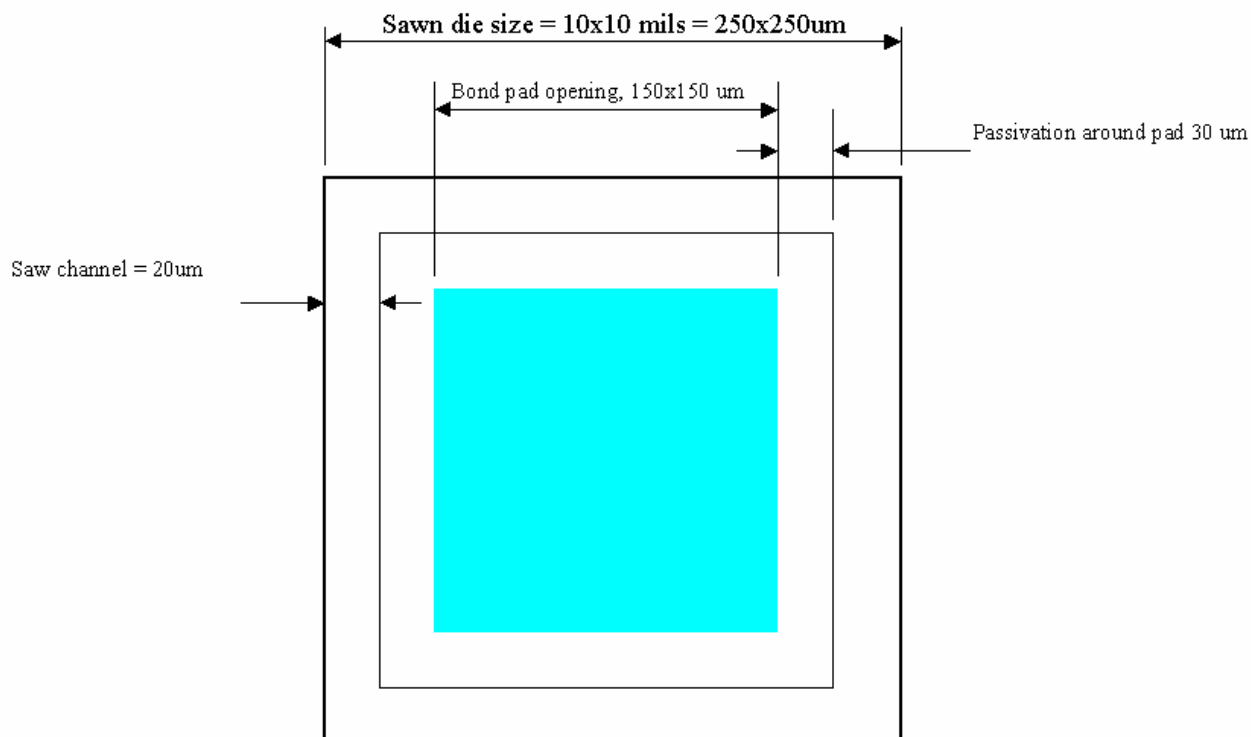
**Electrical Specs:**

BiCMOS PART Number	$V_{RWM}(V)$	BV min. (V)	$I_r$ max (uA)	Capcitanace (pf)	Channels	ESD Level	Package
XBCM010105V*	5	6	1	30	2	30KeV	SOT23-3, SC70-3, SOT23-5, SC70-5, SC70-6 & die**

\* Other special voltage ranges are available upon request.

\*\* Contact Silicon Apps for Other packages available.

**Device Dimensions:**



**Packaged die:**

